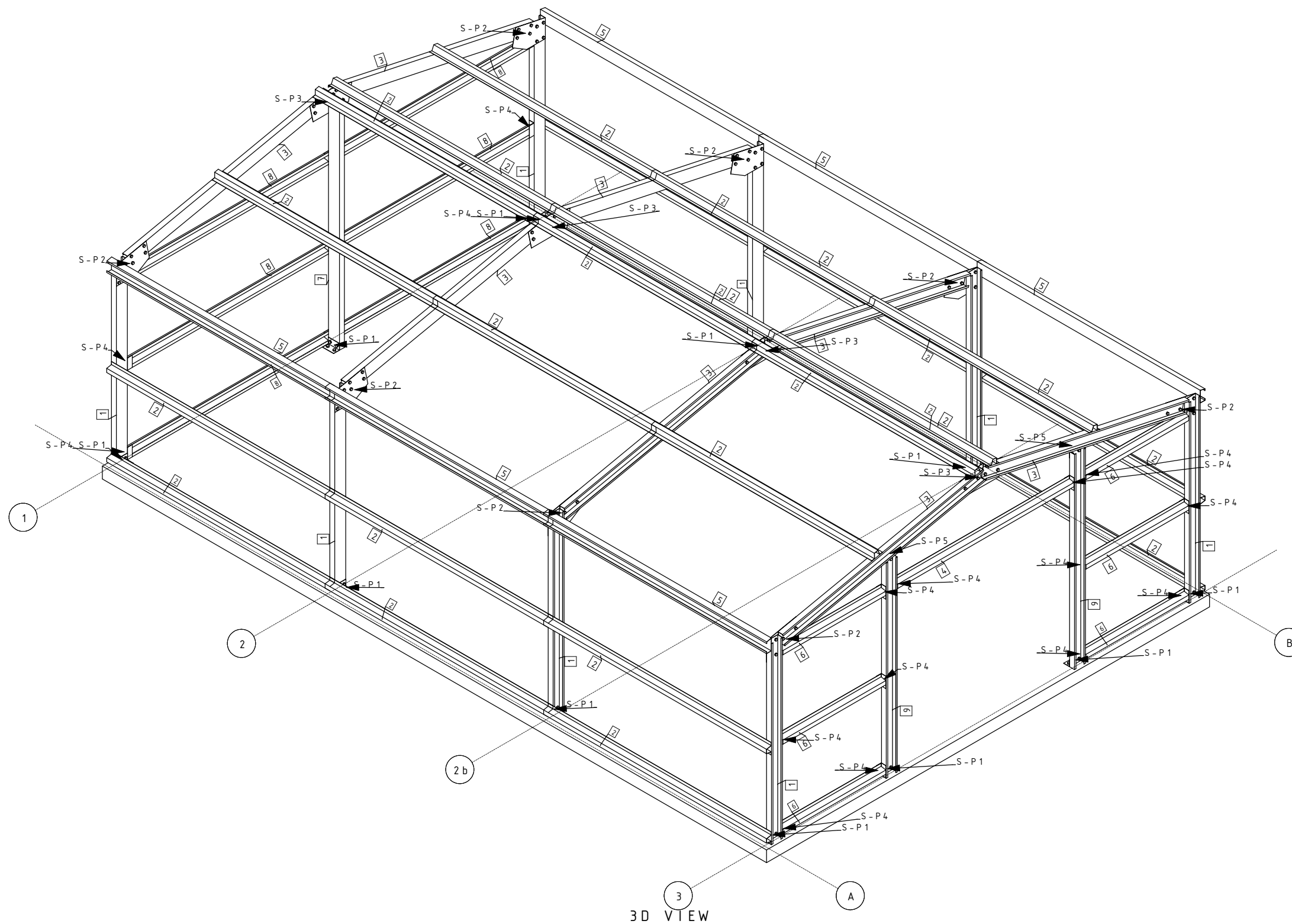


NOTES

DO NOT SCALE - IF IN DOUBT - ASK!



B	FOR CONSTRUCTION	24/03/2020
A	FOR APPROVAL	24/03/2020
REV	DESCRIPTION	DATE



Quality Steel Sheds Ltd

CLIENT

PROJECT  
6000x9000 Shed

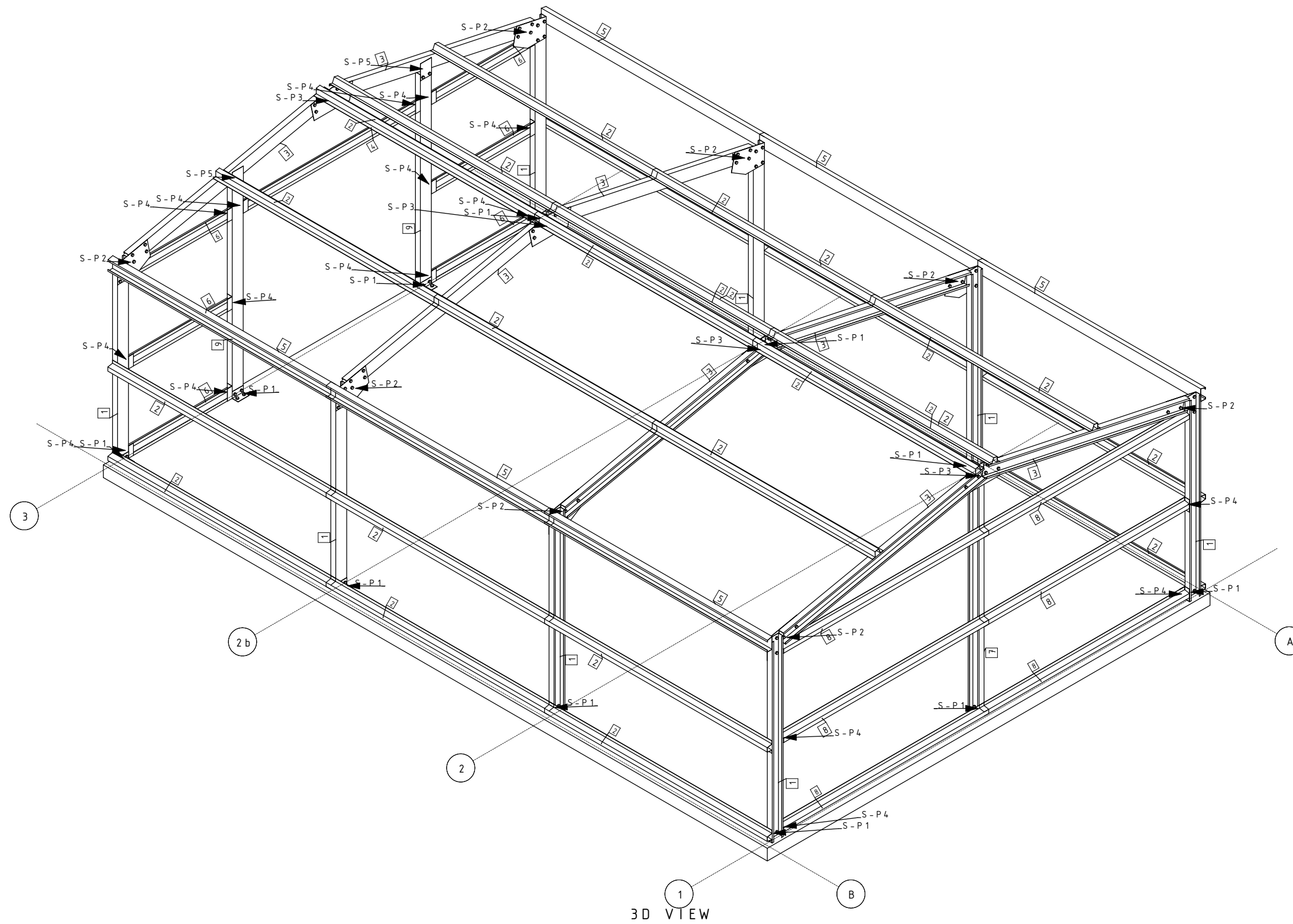
DRAWN G.O'M DATE 24/03/2020

CHECKED J.R SCALE AS NOTED

JOB NO	DRAWING NO	REVISION
202506	G01	B

NOTES

DO NOT SCALE - IF IN DOUBT - ASK!



3D VIEW

B	FOR CONSTRUCTION	24/03/2020
A	FOR APPROVAL	24/03/2020
REV	DESCRIPTION	DATE



Quality Steel Sheds Ltd

CLIENT

PROJECT  
6000x9000 Shed

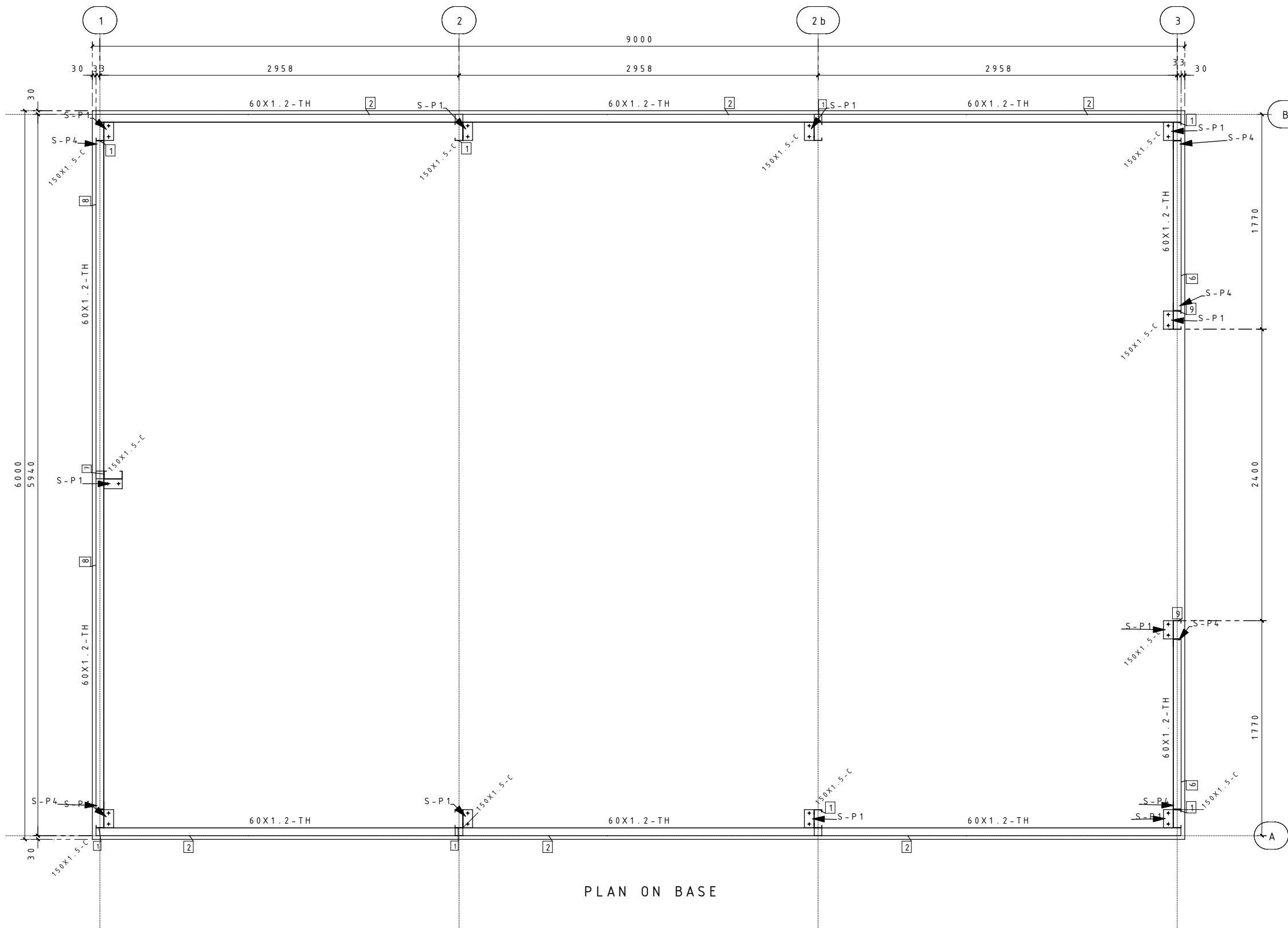
DRAWN G.O'M DATE 24/03/2020

CHECKED J.R SCALE AS NOTED

JOB NO	DRAWING NO	REVISION
202506	G02	B

NOTES

DO NOT SCALE - IF IN DOUBT - ASK!



REV	DESCRIPTION	DATE
B	FOR CONSTRUCTION	24/03/2020
A	FOR APPROVAL	24/03/2020



Quality Steel Sheds Ltd

CLIENT

PROJECT  
6000x9000 Shed

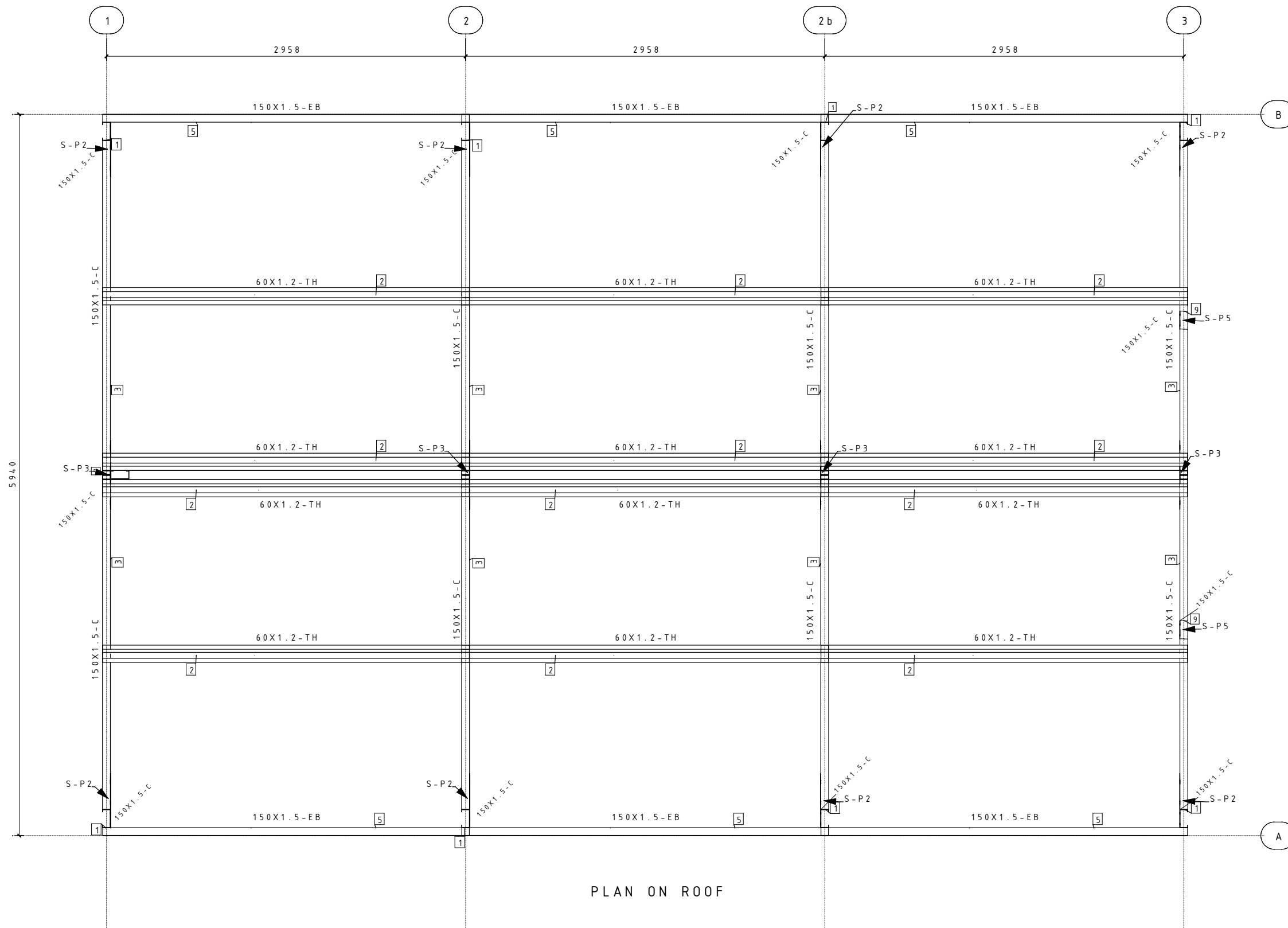
DRAWN G.O'M DATE 24/03/2020

CHECKED J.R SCALE AS NOTED

JOB NO	DRAWING NO	REVISION
202506	G03	B

NOTES

DO NOT SCALE - IF IN DOUBT - ASK!



B	FOR CONSTRUCTION	24/03/2020
A	FOR APPROVAL	24/03/2020
REV	DESCRIPTION	DATE



Quality Steel Sheds Ltd

CLIENT

PROJECT  
6000x9000 Shed

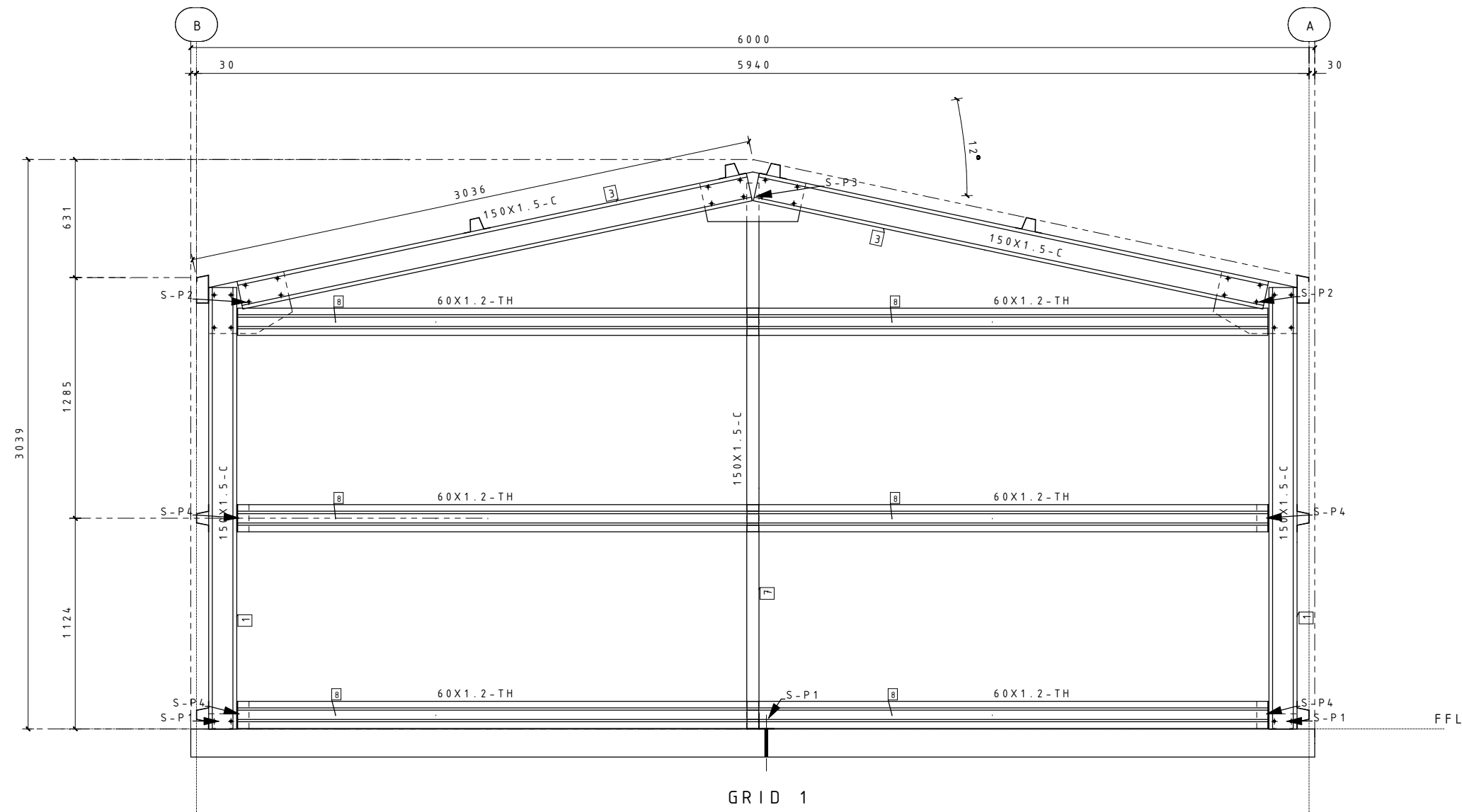
DRAWN G.O'M DATE 24/03/2020

CHECKED J.R SCALE AS NOTED

JOB NO	DRAWING NO	REVISION
202506	G04	B

NOTES

DO NOT SCALE - IF IN DOUBT - ASK!



B	FOR CONSTRUCTION	24/03/2020
A	FOR APPROVAL	24/03/2020
REV	DESCRIPTION	DATE

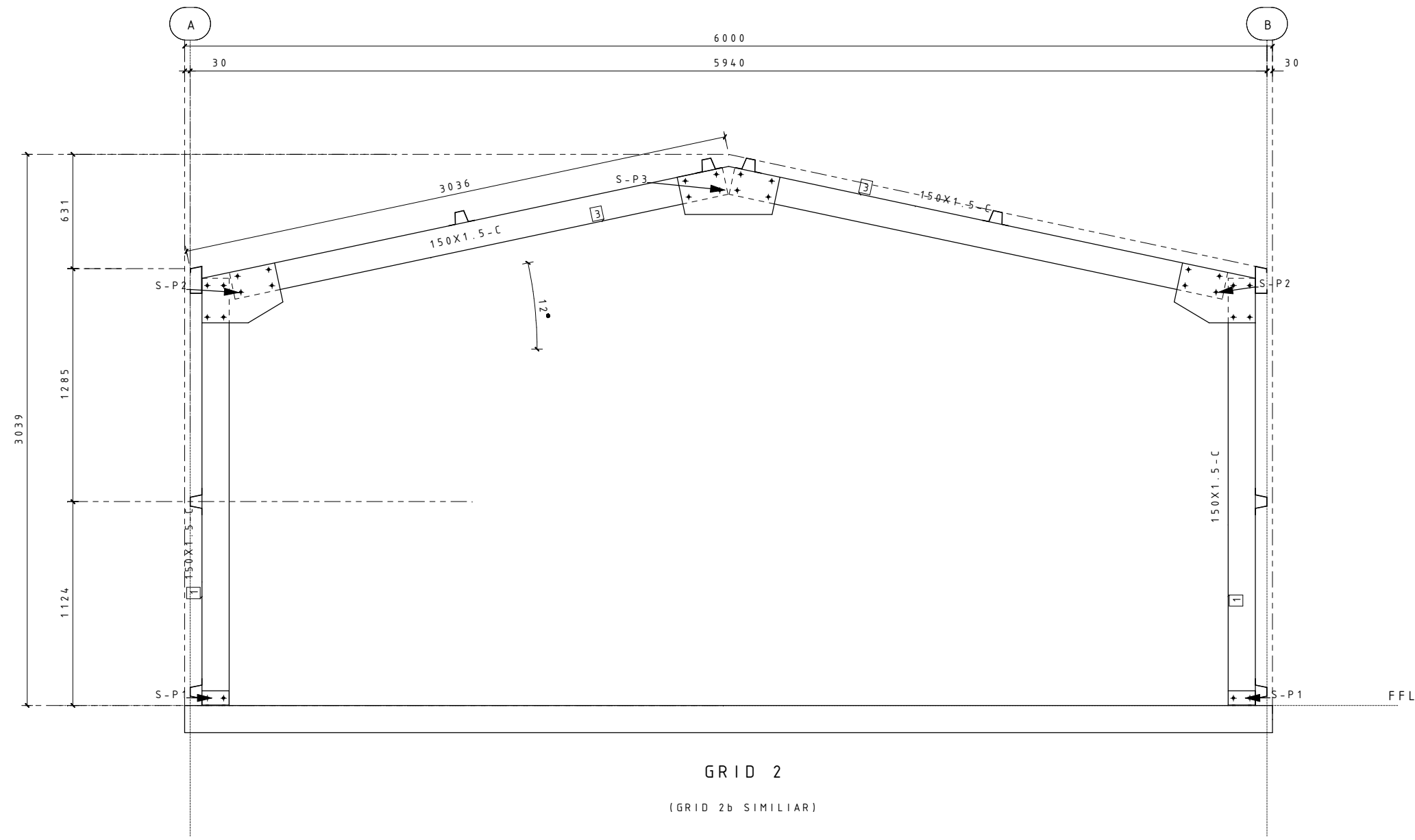


CLIENT
PROJECT 6000x9000 Shed

DRAWN G.O'M	DATE 24/03/2020	
CHECKED J.R	SCALE AS NOTED	
JOB NO 202506	DRAWING NO G05	REVISION B

NOTES

DO NOT SCALE - IF IN DOUBT - ASK!



B	FOR CONSTRUCTION	24/03/2020
A	FOR APPROVAL	24/03/2020
REV	DESCRIPTION	DATE



Quality Steel Sheds Ltd

CLIENT

PROJECT  
6000x9000 Shed

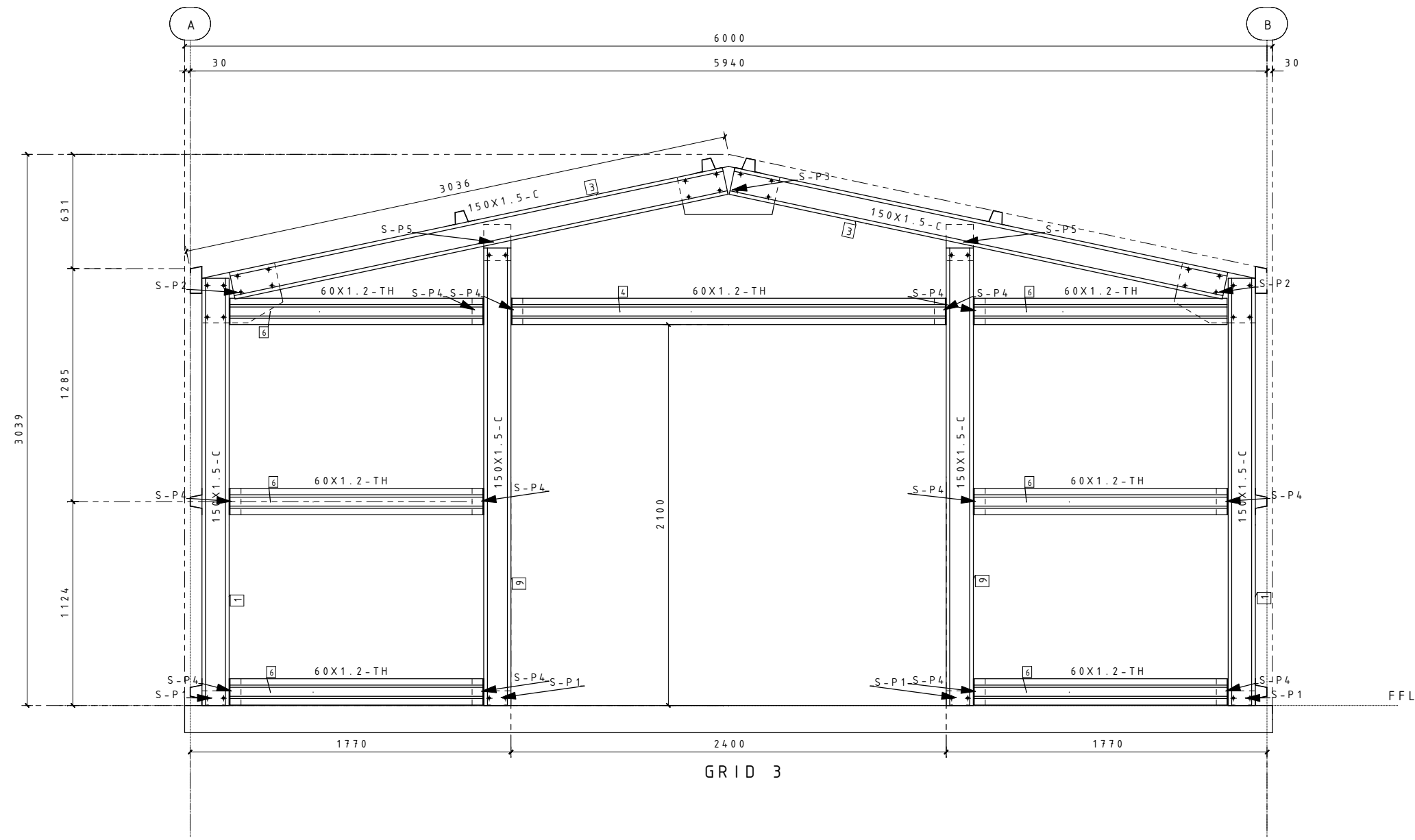
DRAWN G.O'M DATE 24/03/2020

CHECKED J.R SCALE AS NOTED

JOB NO	DRAWING NO	REVISION
202506	G06	B

NOTES

DO NOT SCALE - IF IN DOUBT - ASK!



B	FOR CONSTRUCTION	24/03/2020
A	FOR APPROVAL	24/03/2020
REV	DESCRIPTION	DATE

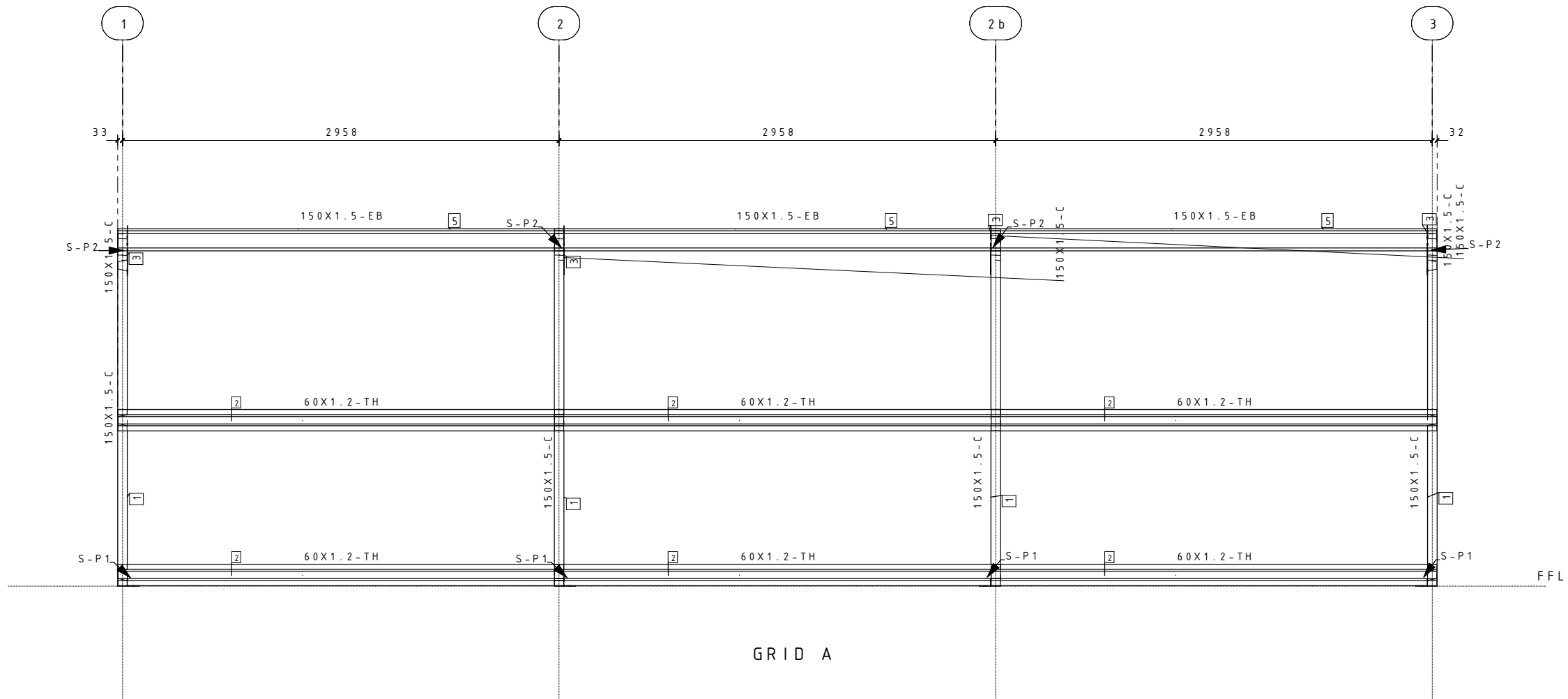


CLIENT
PROJECT
6000x9000 Shed

DRAWN G.O'M	DATE 24/03/2020	
CHECKED J.R	SCALE AS NOTED	
JOB NO 202506	DRAWING NO G07	REVISION B

NOTES

DO NOT SCALE - IF IN DOUBT - ASK!



GRID A

B	FOR CONSTRUCTION	24/03/2020
A	FOR APPROVAL	24/03/2020
REV	DESCRIPTION	DATE



Quality Steel Sheds Ltd

CLIENT

PROJECT  
6000x9000 Shed

DRAWN G.O'M DATE 24/03/2020

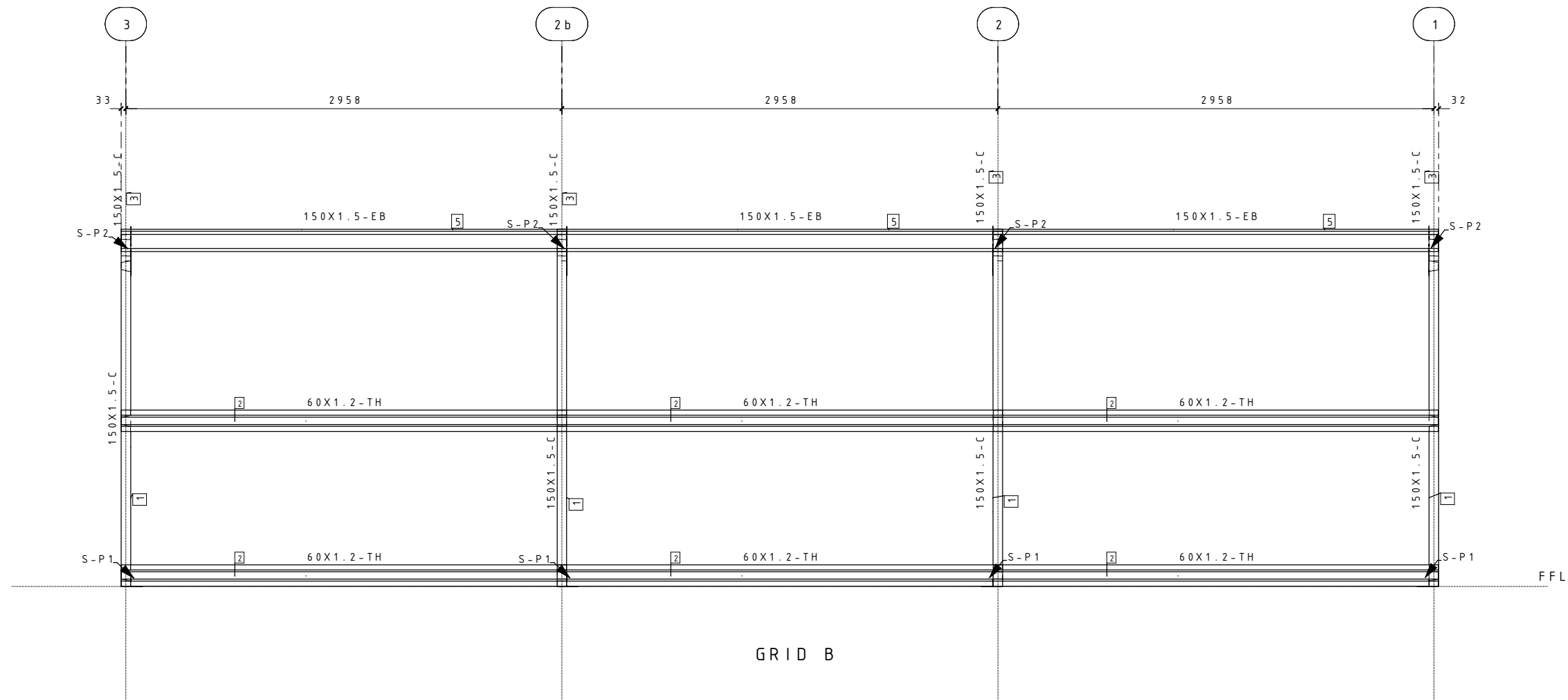
CHECKED J.R SCALE AS NOTED

JOB NO	DRAWING NO	REVISION
202506	G08	B



NOTES

DO NOT SCALE - IF IN DOUBT - ASK!



GRID B

B	FOR CONSTRUCTION	24/03/2020
A	FOR APPROVAL	24/03/2020
REV	DESCRIPTION	DATE



Quality Steel Sheds Ltd

CLIENT

PROJECT  
6000x9000 Shed

DRAWN G.O'M DATE 24/03/2020

CHECKED J.R SCALE AS NOTED

JOB NO	DRAWING NO	REVISION
202506	G09	B